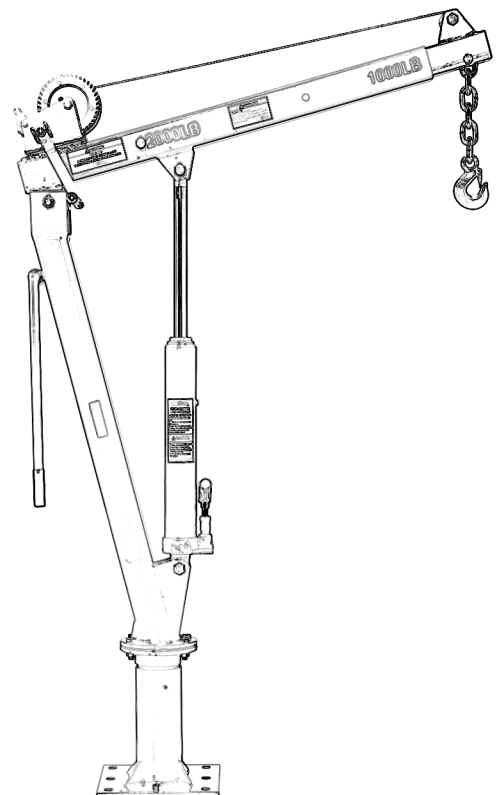




## PWPHW Series

---

User's Manual / Manual de usuario  
Safety Warnings / Advertencias de seguridad



**This page intentionally left blank**

PROPERTY REGISTRY N° 189487  
ANY REPRODUCTION IS FORBIDDEN  
PROPERTY OF PROWINCH® 2018 - V8.0 ALL RIGHTS RESERVED  
PROWINCH LLC COMPANY WITH QUALITY MANAGEMENT SYSTEM

## PROWINCH® DISCLAIMER

---

Prowinch® LLC declares that it has made available to the Customer each and every one of the security warnings related to the purchased product and that, as a result, it does not assume any responsibility for any damages or losses that may be suffered by the client or third parties. Cause or as a direct or indirect consequence of the breach or omission of any of the instructions or safety warnings contained in the User Manual and Security Warnings corresponding to the unit purchased.

In this sense, Prowinch® LLC will not be liable for accidents and / or damages to persons and / or property resulting from the negligent use of the product.

In no case does Prowinch® LLC assume any liability arising from the use of these voluntary recommendations, and does not offer any guarantee in relation to them. These recommendations do not take precedence over the current safety regulations of the plant.

For purposes of enforcing the Warranty of the product purchased, Prowinch® LLC, will only be liable for any damage when it is possible to prove that the user has followed each and every one of the warnings contained in the User Manual and Safety Warnings.

1. It is the sole responsibility of the Client / User to verify that the acquired equipment, products and accessories comply with the characteristics, capacities, requirements, components, accessories and other conditions for the use that the Client / user intends to give it.
2. It is also the sole responsibility of the Client / User to ensure that the equipment and products purchased are operated and maintained with adequate safety standards and by personnel duly trained in the use thereof. The Client / User is also responsible for implementing all the security measures necessary to prevent accidents or damages to people or property and for following the indications and warnings of the corresponding manual.
3. Any assistance provided by Prowinch® LLC in the selection of the equipment, the capacities and characteristics required by the clients is delivered free of charge and based on the information about the application, use and requirements indicated by the Client itself. It does not correspond to Prowinch® LLC to verify the accuracy of the given information. It is the sole and exclusive responsibility of the Client -or who will use the equipment and products acquired- to ensure that the specifications comply with the capabilities, characteristics, up-to-date maintenance and everything necessary for a correct and safe operation in relation to the intended use.
4. Prowinch® LLC recommends the use of winches with 4 brakes for personnel lifting. The use of winches of 3 brakes or less or safety features lower than the best available for personnel lifting, is the sole responsibility of the customer.
5. In order to guarantee the safety of the personnel and users of the equipment it is necessary to carry out the inspections and maintenance of the equipment according to the recommended frequency in relation to its work cycle. It is mandatory to keep record and evidence the written and photographic reports of: Maintenance, Start-up, Load Tests, Training, Certifications, Inspections and Reports of failures and accidents.
6. The aforementioned reports must be sent by email to [registros@prowinch.com](mailto:registros@prowinch.com) within the first 7 calendar days after the occurrence of an event.
7. Compliance with the timely implementation of the mandatory activities described in points 6 and 7 in addition to all the activities mentioned in the corresponding rules applied are the sole responsibility of the user. Failure to comply with the foregoing conditions releases Prowinch® LLC from any type of Liability and Warranty to the team, customer, staff or user, or any other liability that could be attributed to Prowinch® LLC.

The information contained in this manual may contain technical errors or inaccuracies. Prowinch® LLC is not responsible for typing errors, omission or incorrect information.

This manual is subject to change without prior notice. Download the latest version available at [www.prowinch.com](http://www.prowinch.com).

Always check [www.prowinch.com](http://www.prowinch.com) for the latest information regarding this product.

Thank you for purchasing our Prowinch® Hydraulic crane. This User Manual provides important information for personnel involved with the installation, operation, and maintenance of this product. Read this User Manual before installing, operating, or maintaining the product.

## 1. SAFETY PRECAUTIONS

The Prowinch® Hydraulic crane is designed for a safe and reliable service if operated according to the User Manual. Respect and follow all warnings for personnel and third party safety indications. Inadequate operation may cause serious risks of injuries to personnel or damage to the equipment. Read and understand this User Manual carefully before installing and commissioning the equipment. Always keep this User Manual in an accessible place for future reference. Improperly installed, maintained, or operated cranes can be the cause of serious accidents or death. This User Manual highlights symbols and notes for caution, warning and

danger. Following these indications greatly improves the safety of the operator and personnel in the area.

The compact and lightweight structure of the PWPHW models together with their ease of use makes them a preferred crane

for daily use in factories, mines, sea ports and warehouses.

### Always use:



**Hard Hat**



**Safety Glasses**



**Safety Gloves**



**Safety Shoes**

## 1.1. Crane Safety Precautions

---

**WARNING:**

This symbol indicates unsafe practices or situations which may cause damage to the property and even injuries to the personnel.

**DANGER:**

This symbol indicates a potentially dangerous situation which if not avoided may cause severe injuries or death

**DANGER**

All operators and other users who are near the wire rope or its load must wear required safety equipment: gloves, safety helmet / hard hat, safety shoes, and eye protection.

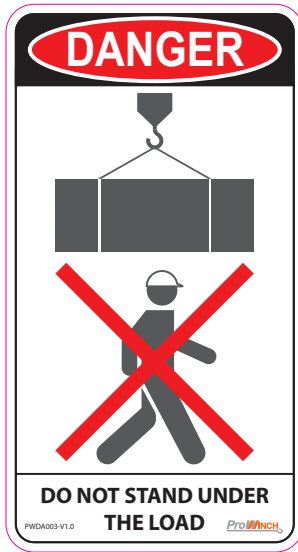
## 1.2. Before using the Equipment:

- Read and understand the instructions in this user manual and all the labels associated with the crane before operating the equipment.
- Wear appropriate clothing: Do not wear jewelry or loose clothes as they can get caught in moving parts.
- Wear sturdy leather gloves.
- Wear non-slip safety shoes, a hard hat, and eye protection.
- Perform a full check of the crane. Check for damaged parts or unusual conditions.
- Secure the hydraulic crane to a suitable surface that is capable of withstanding the load being lifted with the crane.
- Visually inspect the hydraulic crane and winch before each use in addition to the regular inspections and maintenance.

## 1.3. During Operation:

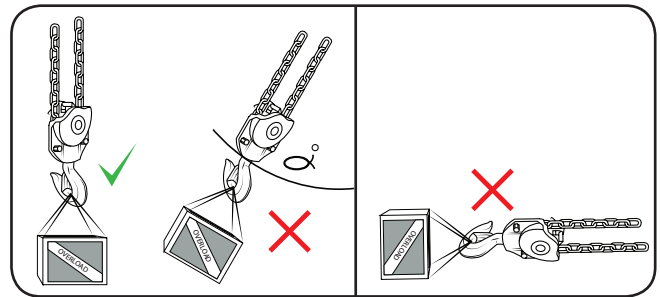
### ALWAYS:

- Refer to the maximum load capacity displayed on the ID plate attached to the crane, not the capacity of the hook.
- Stop operation immediately if unauthorized personnel enter the working area.
- Check the working condition of crane before operation.
- Stop, check, and secure the load if the crane stops or loses movement during operation.
- Focus on the operation. Pay attention at all times and keep the load properly balanced.



### NEVER:

- **Never** exceed the maximum load capacity of the crane.
- **Never** operate a damaged or malfunctioning crane.
- **Never** operate the crane if it shows abnormal behavior.
- **Never** lift, support, or transport people or loads over people.
- **Never** walk or step on the wire rope.
- **Never** operate the hydraulic crane with twisted, kinked, damaged, or worn wire rope or chain.
- **Never** use the wire rope as a sling around load.
- **Never** operate a crane if the ID plate or safety labels are missing or illegible.
- **Never** operate a hydraulic crane if exposed to rain or water.
- **Never** use if operator is sick or not completely attentive.
- **Never** leave the crane unattended with a suspended load.
- **Never** operate the crane with non-centered load.
- **Never** operate beyond the limits of the wire rope or chain.
- **Never** use the crane or hook as an electrical or welding ground.
- **Never** remove the labels placed on the hydraulic crane.
- **Never** use the crane to lift load at an angle, nor pull or drag load.



## 1.4. Inspection, Maintenance and Repairs:

- Only trained and authorized personnel may perform repairs on the equipment.
- Use only original ProWinch® parts. The use of any other part immediately voids the warranty.
- Failure to use only original ProWinch® parts may create dangerous conditions for the operator.

### ALWAYS:

- Prevent others from stepping under lifted load.
- Inspect and maintain the crane regularly.
- Verify the correct installation of crane before using.
- Avoid contact with explosive gases or materials.

### NEVER:

- **Never** overload the crane.
- **Never** transport people or animals with the crane.
- **Never** stand under suspended load.
- **Never** use the crane if exposed to rain, snow, or lightning.
- **Never** leave loads suspended for an extended period of time. This may cause component deformation and accidents.
- **Never** exceed the allowable operating temperatures stated in this User Manual (differs depending on the model).
- **Never** expose the crane to water, sand, corrosive materials or other substances which may damage the equipment.

## 3. INSTALLATION

---

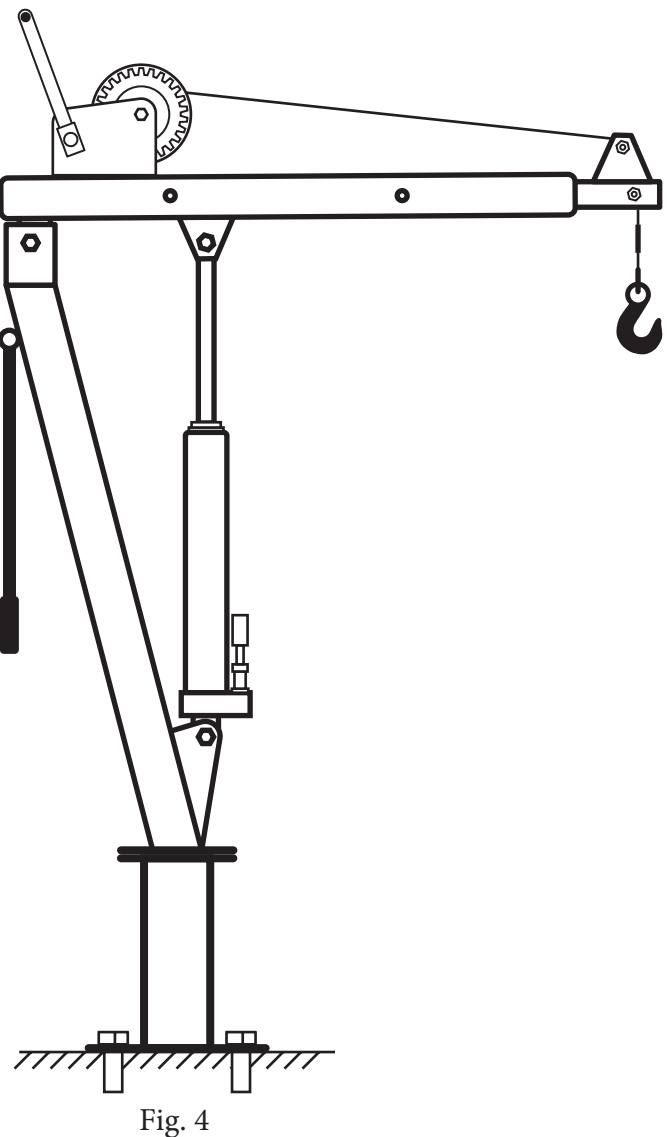
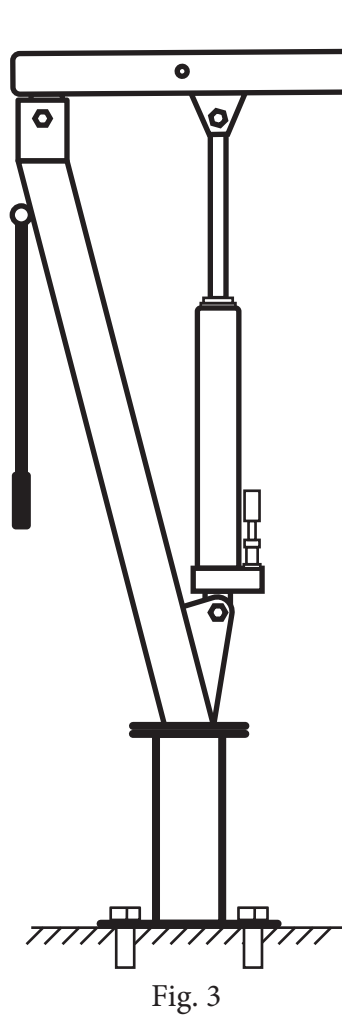
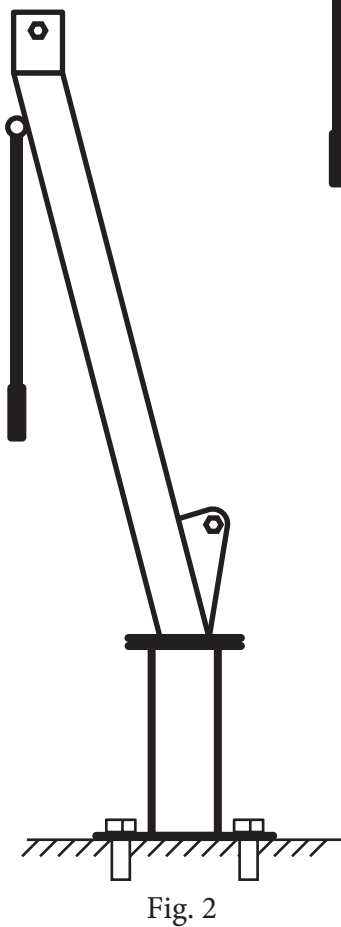
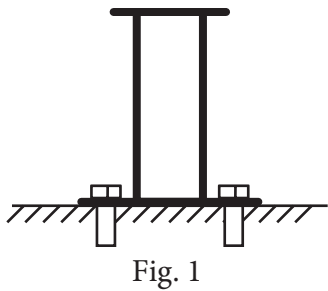
### 3.1 Unpacking

Cranes should be carefully inspected upon delivery for any damage that may have occurred during shipment or handling. Check the crane frame for: dents or cracks, wire rope for damaged or cuts, and load chain for nicks and gouges.

Check and document crane characteristics:

- a. Model number
- b. Rated capacity (tonnage)
- c. Lifting length of load chain (meter)

1. Select a flat horizontal surface to install the base (fig. 1). The base must be flat, level, and capable of withstanding any load lifted with the crane.
2. Install and secure the base to the chosen surface with 4 bolts.
3. Attach the mast to the base with bolts, as shown in fig. 2. After securing the mast, attach the boom to the mast, making sure to not overtighten it.
4. Attach the hydraulic jack to the mast and boom and raise the boom until it is parallel to the ground (fig. 2).
5. Attach the manual winch to the boom and feed the wire rope through the pulley as shown in fig. 4.





## 4. OPERATION

---

### 4.1. Qualified Operator

Crane operators are required to read and fully understand the operation section of this manual, all warnings contained in the manual, and labels attached to the equipment.

Operator training must be provided to ensure proper operation of equipment in compliance with instructions provided by the equipment manufacturer and the provisions of ASME B30, and proper rigging procedures for the attachment of loads to the crane.

Safe and efficient operation of the crane requires an operator who exercises caution, common sense, and good judgment in anticipating the effects of operating the crane. The operator must be fully alert, focused, and aware of the surroundings at all times.

The job must be strictly carried out under the good practices defined by the applicable international and national safety standards, such as ANSI, OSHA and ASME.

#### **This crane must not be operated by individuals who:**

- Cannot read, understand and speak the language in which the security labels, ID Plate and User Manual of equipment is written.
- Does not meet the legal age requirements.
- Is under the influence of alcohol, drugs, or medication.
- Has visual or hearing impediments, or below normal reaction times.
- Has a history of or experiences seizures, mental, heart, or other illnesses that could interfere with safe operation of the equipment.
- Has not been trained for the proper use of the crane.
- Has not received and read the User Manual for the exact equipment.
- Has not demonstrated qualifications through practical operation of crane.

### 4.2 Handling Precautions

#### ALWAYS:

- Keep crane in good condition and able to freely operate.
- Make smooth movements; avoid sudden changes of direction.
- Check the function of the crane without a load before operation.
- Make sure no one is beneath the load.

#### NEVER:

- Use pulleys or other accessories that are not specifically approved for the relevant crane model.
- Raise a load with the tip of the hook.
- Use the crane to pull or drag the load.
- Exceed the maximum capacity of the crane.



**Prowinch LLC**

**[www.prowinch.com](http://www.prowinch.com)**

2545 NW 74th Ave Miami, Florida, 33122

United States

+1 (800) 971-8061

**Equipos de Izaje Prowinch Chile Spa**

**[www.prowinch.cl](http://www.prowinch.cl)**

Parque Riesco 3407, Recoleta,

Región Metropolitana, Chile

+56-2-26218989

**Fortis Alloy Mexico S.A. de C.V**

**[www.prowinch.mx](http://www.prowinch.mx)**

Fortis Alloy Mexico, S.A. de C.V. Vicente Guerrero No. 403

Col. San Miguel, Apodaca, Nuevo Leon,

Mexico C.P. 66649

+52 (81) 8244-1351

**Prowinch Colombia SAS**

**[www.prowinch.co](http://www.prowinch.co)**

Cl. 163a #20-28, Bogotá, Colombia

+57 1 7034035

**Provedora Industrial y Tecnica, S.A. de C.V.**

**[www.prointe.com.sv](http://www.prointe.com.sv)**

Av. Alberto Masferrer Sur, Col. Campestre No. 211

San Salvador, El Salvador

2264-1100

**Representaciones Ivankovich RA S.A.**

**[ivankovich.co.cr](http://ivankovich.co.cr)**

100 mt. Este y 300 Mt. Sur de las Oficinas Centrales del

INS, Cartago, Costa Rica

(506) 2553-1415