



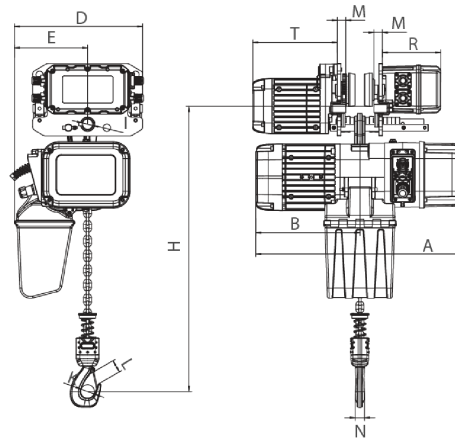
## **1 ton Electric Chain Hoist w/ Power Trolley 1 Speed 208~240V / 440~480V 3ph 60HZ**

### **Características Esenciales**

- 3 Años de Garantía, Servicio y Atención al Cliente en Chile

## Especificaciones Técnicas

|   |  |                                    |  |
|---|--|------------------------------------|--|
| <b>Trolley Contactors Brand</b>                                   | Schneider  | <b>Velocidad /min</b>              | 25.59 ft @60Hz<br>6.50 mt @50Hz                |
| <b>Trolley Contactors Coil Voltage</b>                            | 24 V   | <b>Numero de Velocidades</b>       | 1 Speed  |
| <b>Trolley Wheel Diameter</b>                                     | 95   | <b>Voltaje</b>                     | 3 Phase 208~240/440~480V 50/60Hz               |
| <b>Trolley Wheel Material</b>                                     | No. 45 steel   | <b>Potencia Total Watts</b>        | 2000   |
| <b>Trolley Minimum Turn Radius</b>                                | 1.3  | <b>Clase de Servicio</b>           | H4/M5/2m/Class D                               |
| <b>Trolley Beam Range</b>   | 2" to 6"   | <b>Protección IEC Motor</b>        | IP55   |
| <b>Trolley Beam Extension Kit</b>                                 | up to 12"  | <b>Control</b>                     | Pendant Control IP66 and Optional Wireless     |
| <b>Optional Load Chain Brand &amp; Country of Origin</b>          | FEC Japan  | <b>Voltaje del Control</b>         | 24V  |
| <b>Paint Specifications</b>                                       | Electrostatic Sprayed Plastic (ESP)<br>Epoxy resins, Polyester Resins,<br>Barium, Pigments | <b>Parada de Emergencia</b>        | Yes  |
| <b>Standards Certified</b>  | CE   | <b>Hoist Contactor Brand</b>       | Schneider                                      |
| <b>Trolley Motor Brake Type and DC Voltage</b>                    | DC99V/DC207V   | <b>Tipo Transmisión / Reductor</b> | Spur gearbox                                   |
| <b>Trolley Motor Insulation Grade</b>                             | F  | <b>Tipo de Cadena</b>              | G100 Nikel                                     |
| <b>Pendant Control Yes No</b>                                     | Yes  | <b>Dimensiones de la Cadena</b>    | 7.1 mm   |
| <b>Pendant Control Emergency Stop</b>                             | Yes  | <b>Caidas de Cadena</b>            | 1  |
| <b>Overload Protection</b>  | Overload Motor Clutch  | <b>Longitud de cadena</b>          | 20   |
| <b>Brake SKU</b>  | PWRX-1-PN.60.61  | <b>Humedad</b>                     | 20%~90%  |
| <b>Brake rectifiers-half-wave</b>                                 | PWRX-BKTF-HW   | <b>Temperatura</b>                 | -4 ~ 104° F / -20 ~ 40° C                      |
| <b>Trolley Contactors Amps</b>                                    | 32A  | <b>Potencia del Trolley</b>        | 500  |
| <b>Power Cord Length and Phase Order</b>                          | 3 ft / Black L1 , Red L2 and Blue L3<br>Green ground                                       | <b>Velocidad del Trolley /min</b>  | 43.30 ft @60Hz<br>11 mt @50Hz                  |
| <b>Recommended Hoist Protection Circuit Breaker AMPs and Type</b> | Type D 20A at 220V and 15A at 460V   | <b>Cantidad de Velocidades</b>     | 1  |
| <b>Capacidad de Carga</b>   | 1 ton  | <b>Normas</b>                      | ASME HST-1 , ASME B30.16 , B30.17 , EN60204-33 |
| <b>Altura de Izaje Estandar (Customizable)</b>                    | 20 ft / 6 m  | <b>Garantía</b>                    | 3 Year   |



| Rated load (t) | Type      | Dimension (mm)  |     |           |     |     |     |     |     |    |    |    |     |     |  |
|----------------|-----------|---|-----|-----------|-----|-----|-----|-----|-----|----|----|----|-----|-----|--|
|                |           | Minimum distance from the bottom of the track of the bottom to the bottom hook: H | A   | L         | B   | D   | E   | I   | M   | N  | K  | L  | T   | R   |  |
| 1              | PWRXT1-01 | 473   | 440 | 3500-5500 | 285 | 210 | 20  | 105 | 140 |    |    |    |     |     |  |
| 2              | PWRXT2-01 | 516   | 590 |           | 276 | 368 | 210 | 31  | 24  | 25 | 42 | 32 | 242 | 167 |  |
| 3              | PWRXT3-01 | 600   | 681 |           | 350 | 422 | 264 | 36  | 28  | 35 | 52 | 42 | 242 | 167 |  |
| 5              | PWRXT5-02 | 645   | 681 |           | 350 | 478 | 307 | 43  | 30  | 34 | 59 | 48 | 242 | 167 |  |

## Peso & Dimensiones

|  |                  |
|--|------------------|
| <b>H Altura Muerta</b>                 | 516              |
| <b>W Ancho</b>                         | 330              |
| <b>A Altura Total</b>                  | 455              |
| <b>J Boca Gancho</b>                   | 42               |
| <b>D Depth</b>                         | 590              |
| <b>Peso Total (sin cable o cadena)</b> | 86               |
| <b>Peso Total</b>                      | 433 lbs / 197 Kg |

## Detalles del Empaque

|                              |                    |
|------------------------------|--------------------|
| <b>Paquete 1 Peso Neto</b>   | 101.64 lbs / 46 Kg |
| <b>Paquete 2 Peso Neto</b>   | 89.1 lbs / 40 Kg   |
| <b>Paquete 1 Peso Bruto</b>  | 334 lbs / 152 Kg   |
| <b>Paquete 2 Peso Bruto</b>  | 99 lbs / 45 Kg     |
| <b>Paquete 1 Profundidad</b> | 16 in / 40.64 cm   |
| <b>Paquete 2 Profundidad</b> | 11 in / 27.94 cm   |
| <b>Paquete 1 Ancho</b>       | 26 in / 66.04 cm   |
| <b>Paquete 2 Ancho</b>       | 14 in / 35.56 cm   |
| <b>Paquete 1 Altura</b>      | 38 in / 96.52 cm   |
| <b>Paquete 2 Altura</b>      | 23 in / 58.42 cm   |

Referential Images / Imágenes Referenciales  
Specifications may change without notice / las especificaciones pueden cambiar sin previo aviso