



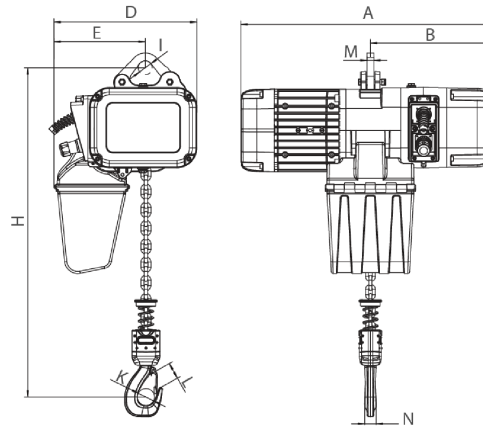
## **2 ton Electric Chain Hoist 2 Speed 208~240V / 440~480V 3Ø 60HZ**

### **Características Esenciales**

- 3 Años de Garantía, Servicio y Atención al Cliente en Chile

## Especificaciones Técnicas

<b>Capacidad de Carga</b>	2 ton	<b>Recommended Hoist Protection Circuit Breaker AMPs and Type</b>	Type D 25A at 220V and 20A at 460V
<b>Voltaje</b>	3 Phase 208~240/440~480V 50/60Hz	<b>Optional Load Chain Brand &amp; Country of Origin</b>	FEC Japan
<b>Altura de Izaje Estandar (Customizable)</b>	20 ft / 6 m	<b>Tipo de Cadena</b>	G100 Nikel
<b>Velocidad /min</b>	26.77 ft @60Hz 6.80 mt @50Hz	<b>Dimensiones de la Cadena</b>	10 mm
<b>Numero de Velocidades</b>	2 Speed	<b>Caidas de Cadena</b>	1
<b>Hoist Contactors Amps</b>	25A	<b>Longitud de cadena</b>	20
<b>Hoist Contactor Brand</b>	Schneider	<b>Load Chain weight per foot [lbs]</b>	1.48
<b>Hoist Contactor Coil Voltage</b>	24 V	<b>Humedad</b>	20%~90%
<b>Clase de Servicio</b>	H4/M5/2m/Class D	<b>Temperatura</b>	-4 ~ 104° F / -20 ~ 40° C
<b>IEC Hoist IP Protection</b>	IP55	<b>Tipo Transmisión / Reductor</b>	Spur gearbox
<b>Protección IEC Motor</b>	IP55	<b>Reducer Lubrication Type</b>	Oil
<b>Pendant Control Yes No</b>	Yes	<b>Paint Specifications</b>	Electrostatic Sprayed Plastic (ESP) Epoxy resins, Polyester Resins, Barium, Pigments
<b>IEC Pendant Control Protection</b>	IP66	<b>Normas</b>	ASME HST-1 , ASME B30.16 , EN60204-34
<b>Pendant Control Emergency Stop</b>	Yes	<b>Standards Certified</b>	CE
<b>Pendant Control total Length</b>	17 ft	<b>Overload Protection</b>	Overload Motor Clutch
<b>Hoist Motor Power in KW</b>	3	<b>Hour Meter</b>	Internal Working Hour Meter
<b>Hoist Motor Brake Type and DC Voltage</b>	DC99V/DC207V	<b>Brake SKU</b>	PWRX-2-20-PN.60.61
<b>Hoist Motor Insulation Grade</b>	F	<b>Brake rectifiers-half-wave</b>	PWRX-BKTF-HW
<b>Potencia Total Watts</b>	3000	<b>Brake rectifiers-full-wave</b>	PWRX-BKTF-FW
<b>Power Cord Length and Phase Order</b>	3 ft / Black L1 , Red L2 and Blue L3 □Green ground		



[Size list: mm]

Rated load (t)	Type	Minimum distance between hooks: H	A	B	D	E	I	M	N	K	L
1	PWRXF1-01	455	590	276	330	210	32	16	25	42	32
2	PWRXF2-01	550	590	276	330	210	38	20	35	52	42
3	PWRXF3-01	560	695	350	420	265	45	20	34	59	48
5	PWRXF5-02	675	695	350	420	307	55	28	44	60	48

## Peso & Dimensiones

<b>A Altura Total</b>	540
<b>J Boca Gancho</b>	52
<b>W Ancho</b>	420
<b>H Altura Muerta</b>	600
<b>D Depth</b>	695
<b>1st Package Type</b>	Wood Crate
<b>Peso Total (sin cable o cadena)</b>	155
<b>Peso Total</b>	308 lbs / 140 Kg

## Detalles del Empaque

<b>Paquete 1 Altura</b>	31 in / 78.74 cm
<b>Paquete 1 Peso Neto</b>	184.8 lbs / 84 Kg
<b>Paquete 1 Ancho</b>	20 in / 50.8 cm
<b>Paquete 1 Peso Bruto</b>	308 lbs / 140 Kg
<b>Paquete 1 Profundidad</b>	30 in / 76.2 cm

Referential Images / Imágenes Referenciales  
Specifications may change without notice / las especificaciones pueden cambiar sin previo aviso

