



Mini Ultra Liviano Polipasto Palanca 250Kg Min. 21 cm Max 1.5 mt Ultra low headroom 200 mm

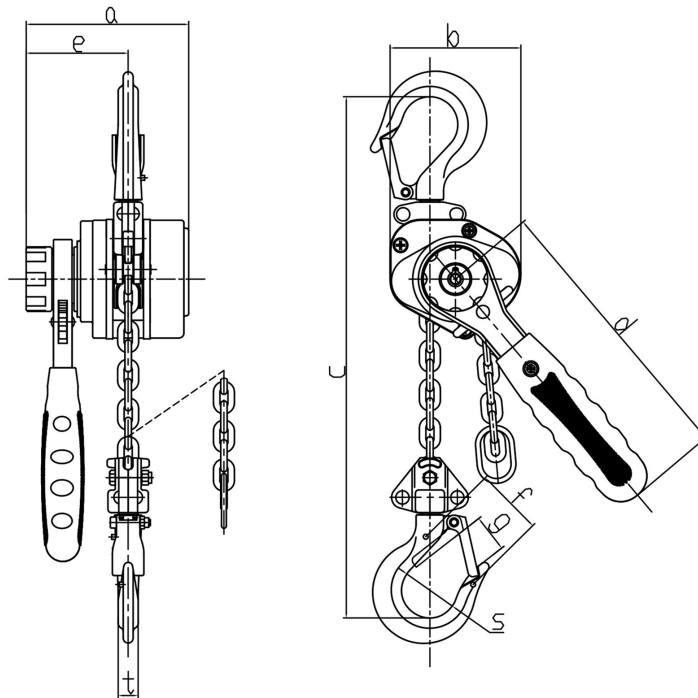
Características Esenciales

- 3 Años de Garantía, Servicio y Atención al Cliente en Chile

Especificaciones Técnicas

| | | | |
|--|-----------------|--------------------------|---|
| Capacidad de Carga | 551 lb / 250 kg | Dimensiones de la Cadena | Ø 3.3 mm |
| Altura de Izaje Estandard (Customizable) | 5 ft / 1.5 m | Caidas de Cadena | 1 |
| Fuerza de Palanca | 44 lbs / 20 kg | Normas | ANSI/ASME B30.21, EN13157, ISO 16877-2008 |
| Tipo de Cadena | G100 | Garantía | 3 Year |

| Model/Modelo | PWKX025 | PWKX050 | PWKX075 | PWKX150 |
|---------------------------------------|-------------------|-------------------|--------------------|--------------------|
| A | 3.4 in / 86.36 mm | 4.0 in / 101.6 mm | 4.1 in / 104.14 mm | 4.8 in / 121.9 mm |
| B | 2.7 in / 68.58 mm | 3.2 in / 81.28 mm | 3.6 in / 91.44 mm | 4.3 in / 109.22 mm |
| E | 2.2 in / 55.88 mm | 2.5 in / 23.5 mm | | 2.7 in / 68.58 mm |
| F | 1.4 in / 35.56 mm | 1.7 in / 43.2 mm | | 2.0 in / 50.8 mm |
| G | 0.8 in / 20.32 mm | 1.0 in / 25.4 mm | 1.1 in / 27.94 mm | 1.4 in / 35.56 mm |
| S | 1.3 in / 33.02 mm | 1.4 in / 35.56 mm | | 1.7 in / 43.18 mm |
| T | 0.4 in / 10.16 mm | 0.5 in / 12.7 mm | 0.6 in / 15.24 mm | 0.8 in / 20.32 mm |
| Length of Lever Handle "D" | 6 in / 152.4 mm | | 7 in / 177.8 mm | 9 in / 228.6 mm |
| Dimensión del Mango de la Palanca "D" | | | | |
| Headroom "C" | 0.7 ft / 0.21 m | 0.8 ft / 0.24 m | 0.9 ft / 0.27 m | 1.1 ft / 0.34 m |
| Espacio Superior "C" | | | | |



Peso & Dimensiones

| | |
|-------------------|----------------|
| D Depth | 2.7 in / 68 mm |
| W Ancho | 3.4 in / 86 mm |
| Peso Total | 2 lbs / 1 Kg |

Detalles del Empaque

| | |
|------------------------------|-----------------|
| Paquete 1 Peso Neto | 2 lbs / 1 Kg |
| Paquete 1 Ancho | 3 in / 7.62 cm |
| Paquete 1 Peso Bruto | 2 lbs / 1 Kg |
| Paquete 1 Altura | 3 in / 7.62 cm |
| Paquete 1 Profundidad | 7 in / 17.78 cm |

Referential Images / Imágenes Referenciales
Specifications may change without notice / las especificaciones pueden cambiar sin previo aviso